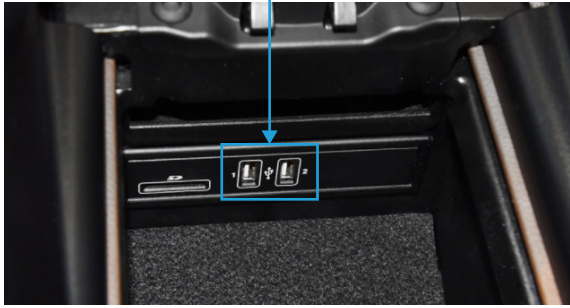
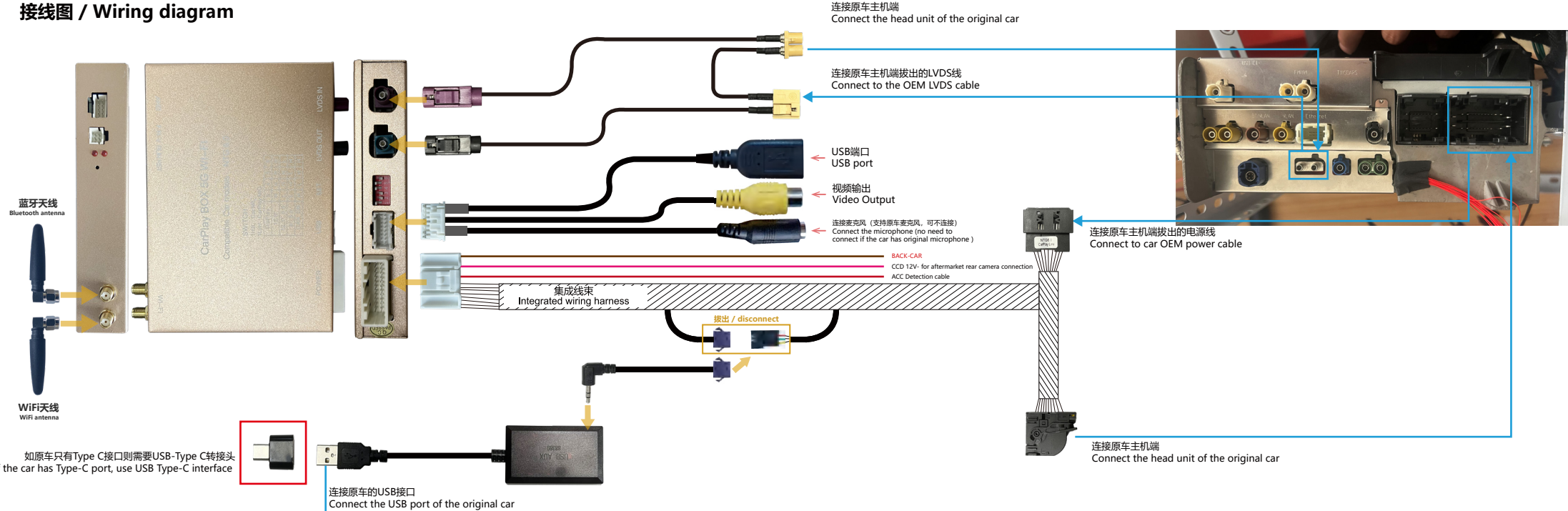
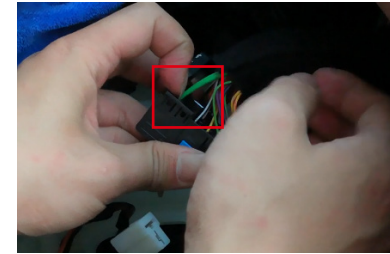
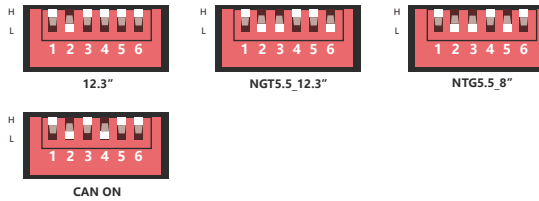


NTG6.0 安装说明 / NTG6.0 installation instructions

接线图 / Wiring diagram



Car MIC 原车麦克风: 1H 2L
External MIC 后装麦克风: 1L 2H



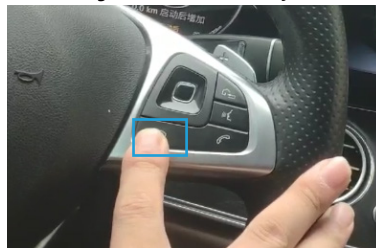
注意, 如原车电源线上有光纤线 (一般为绿色或橙色), 则需要取出光纤线并转接到CarPlay的主线上
Note that if there is an optical fiber cable (usually green or orange) on the original car power cable, you need to take out the optical fiber cable and transfer it to the main line of CarPlay

无线CarPlay连接方式 / Wireless CarPlay connection

1、在原车系统的媒体界面选择USB Audio
Select USB Audio in the media interface of the original car system



2、长按方向盘上的挂机键切换系统
Long press hang up button on the steering wheel to switch the system



3、手机连接CarPlay蓝牙接口使用 (在CarPlay系统进入蓝牙界面查看CarPlay蓝牙名称)
Connect the mobile phone to the device Bluetooth to use the functions (find device bluetooth name in retrofit menu)

